



# Indicating instruments

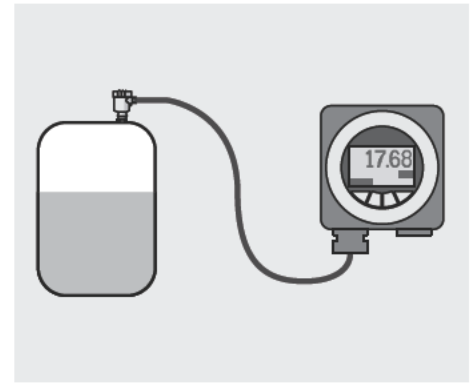
Overview	232
PLICSCOM	234
VEGADIS	235



## Indicating instruments

### For presentation of measured values

With the continuous level measurement, the level in a vessel is detected. The measured value is further processed, e.g. as 4 ... 20 mA signal in a PLC or a process control system. Often also the indication of the measured value on site is requested. For this purpose, a wide range of instruments is available. Typical applications are measured value indication with a level measurement in a pump shaft or the external indication on a measurement loop which is difficult to reach.



## Overview



**PLICSCOM**

**Indication** DOT matrix  
**Signal** I<sup>2</sup>C bus  
**Sensors** plics® sensors  
**Mounting** In the sensor or in VEGADIS 61  
**Ambient temperature** -15 ... +70 °C



**VEGADIS 11**

**Indication** Digital and quasianalogue  
**Signal** 4 ... 20 mA  
 4 ... 20 mA/HART  
**Sensors** 4 ... 20 mA passive or active  
**Mounting** Wall or carrier rail mounting  
**Ambient temperature** -20 ... +70 °C



**VEGADIS 61**

**Indication** DOT matrix  
**Signal** I<sup>2</sup>C bus  
**Sensors** plics® sensors  
**Mounting** Wall, carrier rail or tube mounting  
**Ambient temperature** -15 ... +70 °C



**VEGADIS 62**

**Indication** DOT matrix  
**Signal** 4 ... 20 mA/HART  
**Sensors** Sensors with HART protocol  
**Mounting** Wall, carrier rail or tube mounting  
**Ambient temperature** -20 ... +70 °C



**VEGADIS 175**

**Indication** Digital  
**Signal** 4 ... 20 mA  
 4 ... 20 mA/HART  
**Sensors** 4 ... 20 mA passive or active  
**Mounting** Front panel  
**Ambient temperature** -10 ... +60 °C



## PLICSCOM

Pluggable indicating and adjustment module for plics® sensors

### Application area

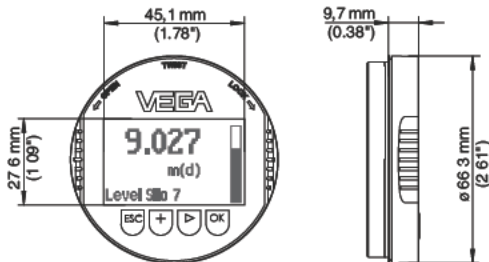
Suitable for VEGAFLEX series 60, VEGABAR series 50 and 60, VEGAPULS series 60, VEGASON series 60, VEGACAL series 60 and PLICSRADIO

### Advantages

- DOT matrix display with 4 keys for adjustment
- Clear text indication with graphic support
- Indication of trend and echo curves
- Pluggable in 90° steps



PLICSCOM.XB



## VEGADIS 11

**Digital indicating instrument without external energy**

### Application area

The VEGADIS 11 is a digital indicating instrument without external energy. It is used for separate measured value indication for 4 ... 20 mA circuits

### Advantages

- LC display for digital and quasi-analogue presentation of measured values
- Indicating range -9999 ... 9999
- Individually adjustable decimal point
- Protection IP 67
- Wall or rail mounting

### Function

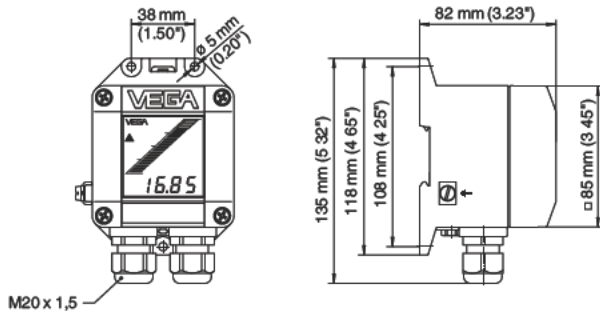
The VEGADIS 11 measures the current in the current loop. The measured value is displayed digitally and as a bargraph via the LC display. The digital indication can be scaled.



### Approval

- .X without .....
- EX.X ATEX II 2 G EEx ia IIC T6 .....

DIS11





## VEGADIS 61

### External indicating and adjustment unit

#### Application area

The VEGADIS 61 is suitable for external indication of measured values and adjustment of plics® sensors

#### Advantages

- DOT matrix display with 4 keys for adjustment and lighting
- Clear text indication with graphic support
- Indication of trend and echo curves
- Indicating and adjustment module pluggable in 90° steps
- Can be mounted with 25 m cable length away from the sensor



#### Function

The VEGADIS 61 is connected with an up to 25 m long four-wire, screened standard cable with the sensor. The communication is carried out via this cable as well as the power supply of VEGADIS 61.

#### Approval

**UF** FM(IS)CL I,II,III, DIV 1, GP ABCDEF .....

**KF** CSA(IS)CL I,II,III, DIV1, GP ABCDEFG .....

#### Housing / Protection

**K** Plastic / IP66/IP67 .....

**A** Aluminium / IP66/IP68(0.2bar) .....

**V** Stainless steel (prec.casting) 316L / IP66/IP68(0.2bar) .....

**8** Stainless steel (electropol.) 316L / IP66/IP68(0.2bar) .....

#### Cable entry / Cable gland / Plug connection

**N** ½NPT / without / without .....

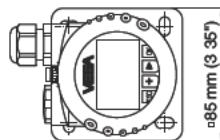
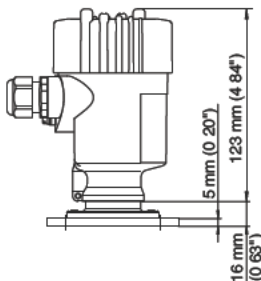
#### Mounting / Material

**B** for wall mounting / stainless steel .....

**C** for rail mounting / plastic .....

**D** for tube mounting / stainless steel .....

DIS61. [ ] [ ] [ ] [ ] [ ]







## VEGADIS 175

Digital indicating instrument without external energy for front panel mounting

### Application area

The VEGADIS 175 is a digital indicating instrument without external energy. For separate indication of measured values for 4 ... 20 mA circuits

### Advantages

- 5-digit scalable LC display
- Indication range -19999 ... 99999
- Adjustable decimal point
- Compact housing
- Protection IP 65

### Function

The VEGADIS 175 measures the current in the current loop. The measured value is displayed digitally via the LC display. The digital indication can be scaled.



### Approval

.X without .....  
 EX.X ATEX II 1 G EEx ia IIC T6 .....

DIS175

